

# HYUNDAI LED SIGNAGE LED Module

# H-LED 358



*H-LED 358 is the best and cost effective LED edge lighting Solution  
For slim and medium size of box sign application*

**Optimized for minimum 50mm depth of the Single Face box signs**

GLOBAL  
**HYUNDAI**  
GROUP

**5** Years  
warranty

**10** Years  
Field  
Experience

**Slim**

**IP67**

**18x70°**

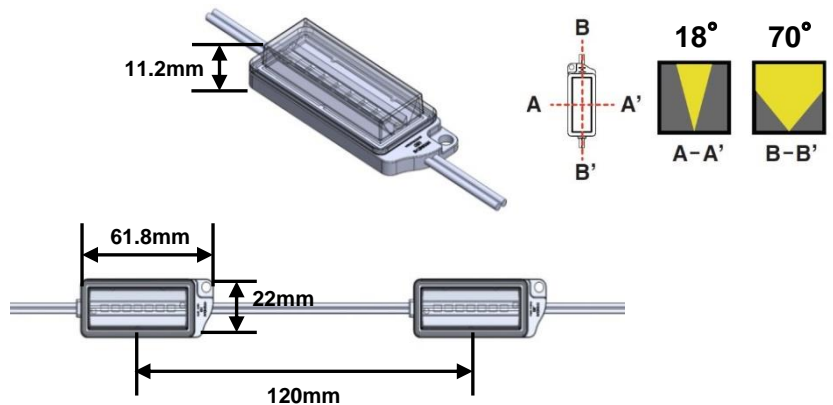
**50,000H**  
LIFETIME

**24VDC**

**EASY**  
INSTALLATION



RoHS



Model (Model No.)	Input Vol.	Power Con.	CCT	Beam angle	CRI	Lum. Flux	Lum. Efficacy	Module No. per a pack
H-LED 358 WHITE (BFL358-DW12)	24VDC	1.92W	6500K	18x70°	Ra80	192 lm	<b>100 lm/W</b>	30modules (3.6m)  Module pitch 120mm